

## PHOTODIODE: SINGLE-MODE FIBER-PIGTAIL (With Flange)

### Specifications

Contact Ascentta with your custom specification needs.

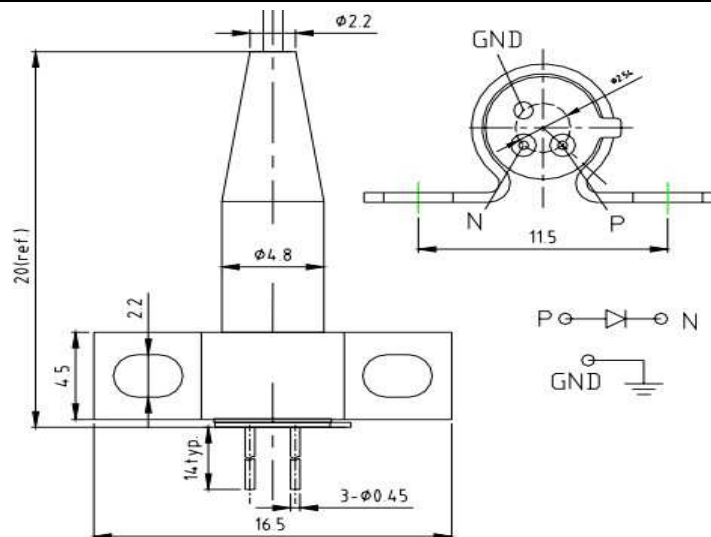
Parameter		Unit	Value
Wavelength		nm	1100-1650
Return Loss	(Single-Mode Fiber @ 1550nm)	Min dB	45
Dark Current	( $V_r = -5V$ , $25^\circ C$ )	Max nA	0.5
Responsivity	( $V_r = -5V$ , $\lambda = 1550nm$ )	Min A/W	0.9
	( $V_r = -5V$ , $\lambda = 1310nm$ )	Min W/W	0.85
Active Area		um	300
Bandwidth	( $R = 50\Omega$ , $P_i = 10dBm$ , $V_r = 5V$ )	Min GHz	0.5
Capacity	( $V_r = -5V$ )	Max pF	6
Reverse Breakdown Voltage	( $I_D = 10\mu A$ , $\psi_e = 0$ )	Min V	25
Forward Current		Max mA	10
Reverse Current		Max mA	10
Input Optical Power		Max dBm	10
Storage Temperature		$^\circ C$	-40 to 85

### Ordering Information

Contact Ascentta with your custom configuration needs.

PPD	Type	Material	Active Area	Package	Dimensions	Fiber Type	Fiber Length	Connector
PPD	PIN=PIN	IGA=InGaAs	3=0.3mm	TO46F=TO-46	4820= $\Phi 4.8 \times$	B=SMF-28, 250um	10=1.0m	NE=None
	X=Others	X=Others	X=Others	with Flange	L20	L=SMF-28, 900um	15=1.5m	FA=FC/APC
				X=Others	X=Others	X=Others	X=Others	FC=FC/PC
								SA=SC/APC
								SC=SC/PC
								X=Others

### Package Dimensions



Contact Ascentta for all your custom design needs.