

PHOTODIODE: TO-CAN

Specifications

Contact Ascentta with your custom specification needs.

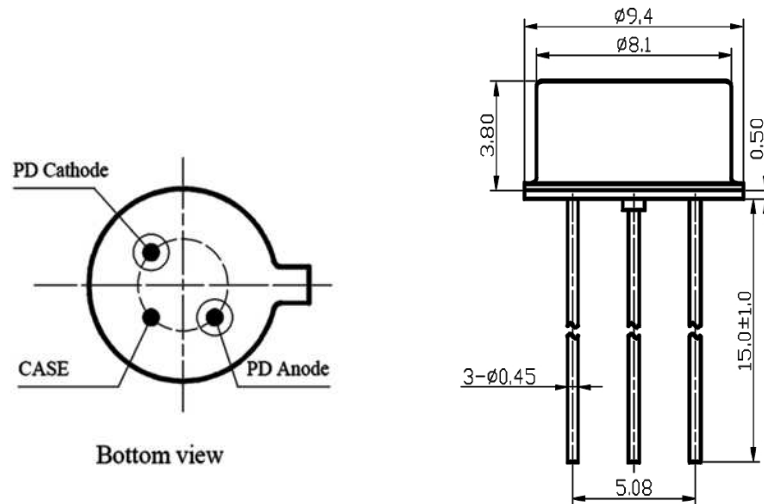
Parameter		Unit	Value
Wavelength		nm	1100-1670
Dark Current	($V_r = -5V, 25^\circ C$)	Max	nA
Responsivity	($V_r = -5V, \lambda = 1550nm$)	Min	A/W
	($V_r = -5V, \lambda = 1310nm$)	Min	W/W
Active Area		um	2000
Bandwidth	($R = 50\Omega, P_i = 10dBm, V_r = 5V$)	Min	MHz
Capacity	($V_r = -5V$)	Max	pF
Forward Voltage	($I_f = 1mA$)	Max	V
Reverse Breakdown Voltage	($I_D = 10\mu A, \psi_e = 0$)	Min	V
Forward Current		Max	mA
Reverse Current		Max	mA
Input Optical Power		Max	dBm
Storage Temperature		$^\circ C$	-40 to 85

Ordering Information

Contact Ascentta with your custom configuration needs.

PD	Type	Material	Active Area	Package	Dimensions
PD	PIN=PIN	IGA=InGaAs	20=2mm	TO5=TO-5	8138= $\Phi 8.1 \times L3.8$
	X=Others	X=Others	X=Others	X=Others	X=Others

Package Dimensions



Contact Ascentta for all your custom design needs.

PHOTODIODE: SINGLE-MODE FIBER-PIGTAIL (Without Flange)

Specifications

Contact Ascentta with your custom specification needs.

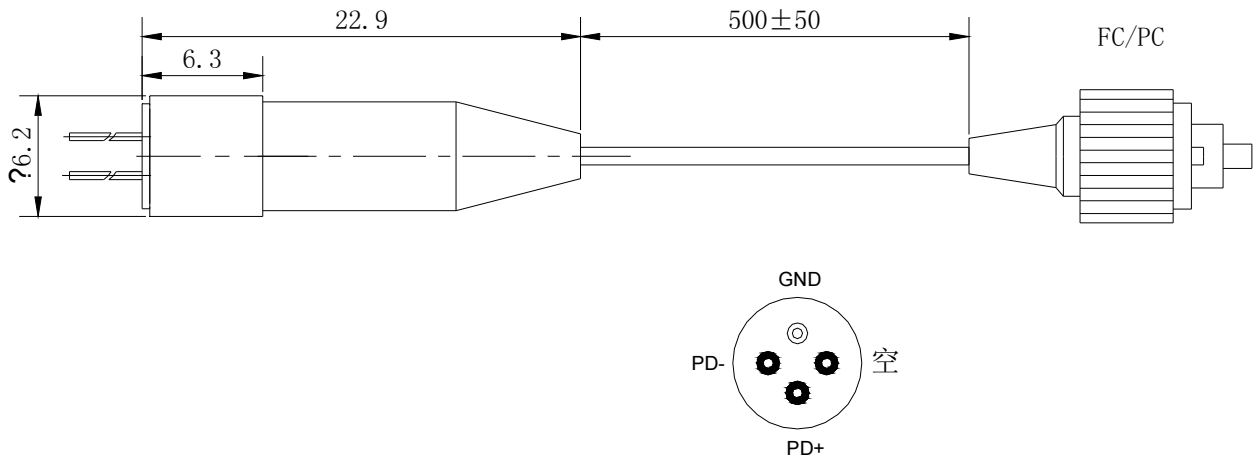
Parameter		Unit	Value
Wavelength		nm	1100-1650
Return Loss	(Single-Mode Fiber @ 1550nm)	Min dB	45
Dark Current	($V_r = -5V, 25^\circ C$)	Max nA	0.5
Responsivity	($V_r = -5V, \lambda = 1550nm$)	Min A/W	0.9
	($V_r = -5V, \lambda = 1310nm$)	Min A/W	0.85
Active Area		um	75
Bandwidth	($R = 50\Omega, P_i = 10dBm, V_r = 5V$)	Min GHz	2
Capacity	($V_r = -5V$)	Max pF	1
Reverse Breakdown Voltage	($I_D = 10\mu A, \psi_e = 0$)	Min V	25
Forward Current		Max mA	10
Reverse Current		Max mA	5
Input Optical Power		Max dBm	10
Storage Temperature		$^\circ C$	-40 to 85

Ordering Information

Contact Ascentta with your custom configuration needs.

PPD	Type	Material	Active Area	Package	Dimensions	Fiber Type	Fiber Length	Connector
PPD	PIN=PIN	IGA=InGaAs	0.75=75um	T46=TO-46	6223= $\Phi 6.2 \times L23$	B=SMF-28, 250um L=SMF-28, 900um	10=1.0m 15=1.5m	NE=None FA=FC/APC FC=FC/PC SA=SC/APC SC=SC/PC
	X=Others	X=Others	X=Others	X=Others	X=Others	X=Others	X=Others	X=Others

Package Dimensions



Contact Ascentta for all your custom design needs.

PHOTODIODE: SINGLE-MODE FIBER-PIGTAIL (With Flange)

Specifications

Contact Ascentta with your custom specification needs.

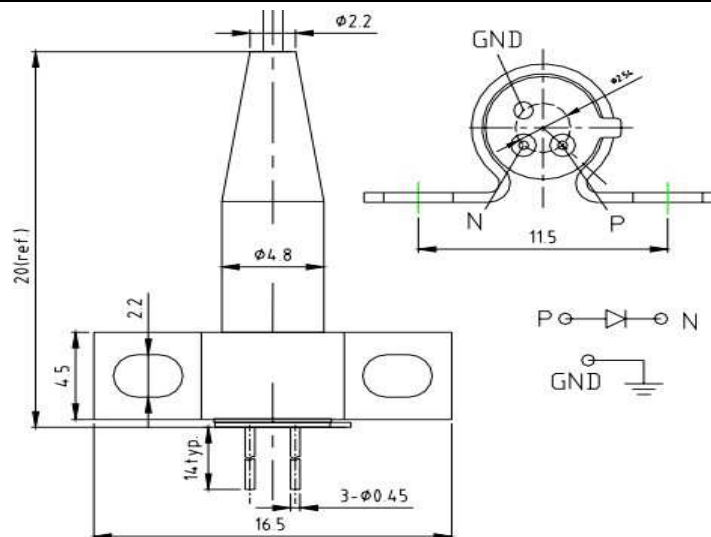
Parameter		Unit	Value
Wavelength		nm	1100-1650
Return Loss	(Single-Mode Fiber @ 1550nm)	Min dB	45
Dark Current	($V_r = -5V, 25^\circ C$)	Max nA	0.5
Responsivity	($V_r = -5V, \lambda = 1550nm$)	Min A/W	0.9
	($V_r = -5V, \lambda = 1310nm$)	Min W/W	0.85
Active Area		um	300
Bandwidth	($R = 50\Omega, P_i = 10dBm, V_r = 5V$)	Min GHz	0.5
Capacity	($V_r = -5V$)	Max pF	6
Reverse Breakdown Voltage	($I_D = 10\mu A, \psi_e = 0$)	Min V	25
Forward Current		Max mA	10
Reverse Current		Max mA	10
Input Optical Power		Max dBm	10
Storage Temperature		$^\circ C$	-40 to 85

Ordering Information

Contact Ascentta with your custom configuration needs.

PPD	Type	Material	Active Area	Package	Dimensions	Fiber Type	Fiber Length	Connector
PPD	PIN=PIN	IGA=InGaAs	3=0.3mm	TO46F=TO-46 with Flange	4820= $\Phi 4.8 \times$ L20	B=SMF-28, 250um L=SMF-28, 900um	10=1.0m 15=1.5m	NE=None FA=FC/APC FC=FC/PC SA=SC/APC SC=SC/PC X=Others
	X=Others	X=Others	X=Others	X=Others	X=Others	X=Others	X=Others	

Package Dimensions



Contact Ascentta for all your custom design needs.

PHOTODIODE: MULTI-MODE FIBER-PIGTAIL (Without Flange)

Specifications

Contact Ascentta with your custom specification needs.

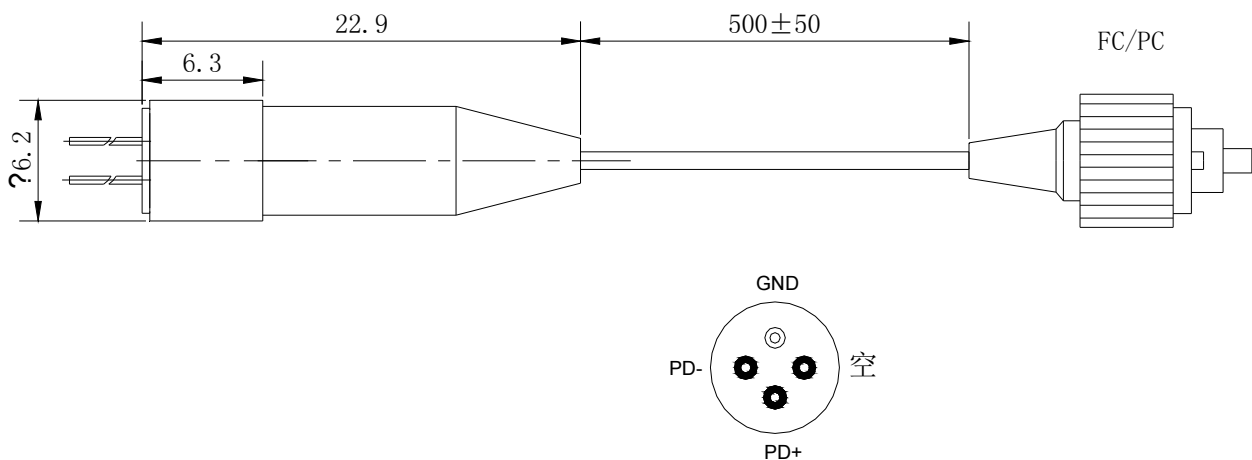
Parameter		Unit	Value
Wavelength		nm	1100-1650
Dark Current	($V_r = -5V, 25^\circ C$)	Max	nA
Responsivity	($V_r = -5V, \lambda = 1550nm$)	Min	A/W
	($V_r = -5V, \lambda = 1310nm$)	Min	A/W
Active Area			um
Bandwidth	($R = 50\Omega, P_i = 10dBm, V_r = 5V$)	Min	GHz
Capacity	($V_r = -5V$)	Max	pF
Reverse Breakdown Voltage	($I_D = 10\mu A, \psi_e = 0$)	Min	V
Forward Current		Max	mA
Reverse Current		Max	mA
Input Optical Power		Max	dBm
Storage Temperature			$^\circ C$

Ordering Information

Contact Ascentta with your custom configuration needs.

MMPPD	Type	Material	Active Area	Package	Dimensions	Fiber Type	Fiber Length	Connector
MMPPD	PIN=PIN	IGA=InGaAs	0.75=75um	T46=TO-46	6223= $\Phi 6.2$ x L23	M5B=50/125um, 250um	10=1.0m	NE=None
	X=Others	X=Others	X=Others	X=Others	X=Others	M5L=50/125um, 900um M6B=62.5/125um, 250um M6L=62.5/125um, 900um X=Others	15=1.5m X=Others	FA=FC/APC FC=FC/PC SA=SC/APC SC=SC/PC X=Others

Package Dimensions



Contact Ascentta for all your custom design needs.

PHOTODIODE: MULTI-MODE FIBER-PIGTAIL (With Flange)

Specifications

Contact Ascentta with your custom specification needs.

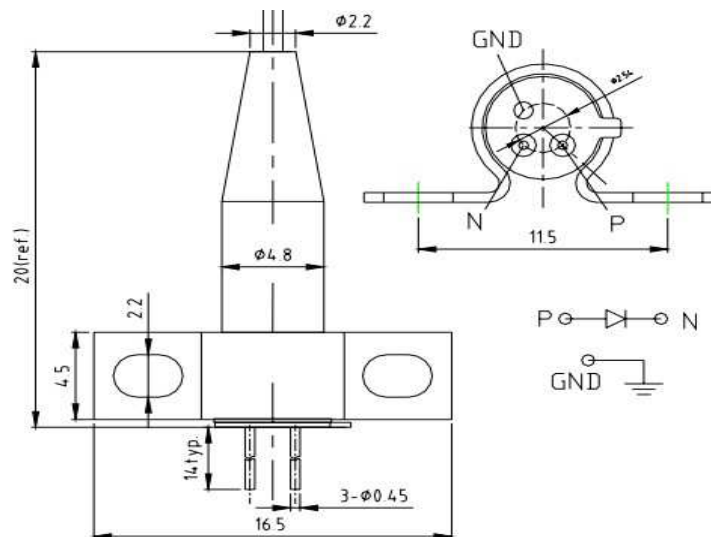
Parameter		Unit	Value
Wavelength		nm	1100-1650
Dark Current	($V_r = -5V, 25^\circ C$)	Max nA	0.5
Responsivity	($V_r = -5V, \lambda = 1550nm$)	Min A/W	0.9
	($V_r = -5V, \lambda = 1310nm$)	Min W/W	0.85
Active Area		um	300
Bandwidth	($R = 50\Omega, P_i = 10dBm, V_r = 5V$)	Min GHz	0.5
Capacity	($V_r = -5V$)	Max pF	6
Reverse Breakdown Voltage	($I_D = 10\mu A, \psi_e = 0$)	Min V	25
Forward Current		Max mA	10
Reverse Current		Max mA	10
Input Optical Power		Max dBm	10
Storage Temperature		$^\circ C$	-40 to 85

Ordering Information

Contact Ascentta with your custom configuration needs.

MMPPD	Type	Material	Active Area	Package	Dimensions	Fiber Type	Fiber Length	Connector
MMPPD	PIN=PIN	IGA=InGaAs	3=0.3mm	T46F=TO-46 with Flange	4820= $\Phi 4.8$ x L20	M5B=50/125um, 250um M5L=50/125um, 900um M6B=62.5/125um, 250um M6L=62.5/125um, 900um	10=1.0m 15=1.5m	NE=None FA=FC/APC FC=FC/PC SA=SC/APC SC=SC/PC
	X=Others	X=Others	X=Others	X=Others	X=Others	X=Others	X=Others	X=Others

Package Dimensions



Contact Ascentta for all your custom design needs.