

PHOTODIODE: TO-CAN

Specifications

Contact Ascentta with your custom specification needs.

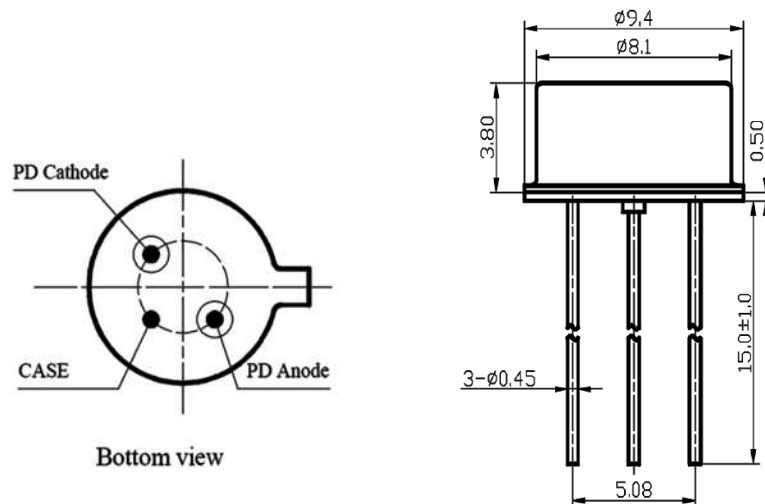
Parameter		Unit	Value
Wavelength		nm	1100-1670
Dark Current	($V_r = -5V, 25^\circ C$)	Max	nA
Responsivity	($V_r = -5V, \lambda = 1550nm$)	Min	A/W
	($V_r = -5V, \lambda = 1310nm$)	Min	W/W
Active Area		um	2000
Bandwidth	($R = 50\Omega, P_i = 10dBm, V_r = 5V$)	Min	MHz
Capacity	($V_r = -5V$)	Max	pF
Forward Voltage	($I_f = 1mA$)	Max	V
Reverse Breakdown Voltage	($I_D = 10\mu A, \psi_e = 0$)	Min	V
Forward Current		Max	mA
Reverse Current		Max	mA
Input Optical Power		Max	dBm
Storage Temperature		$^\circ C$	-40 to 85

Ordering Information

Contact Ascentta with your custom configuration needs.

PD	Type	Material	Active Area	Package	Dimensions
PD	PIN=PIN	IGA=InGaAs	20=2mm	TO5=TO-5	8138= $\Phi 8.1 \times L3.8$
	X=Others	X=Others	X=Others	X=Others	X=Others

Package Dimensions



Contact Ascentta for all your custom design needs.