

## CWDM FILTER

(1471, 1491, 1511, 1531, 1551, 1571, 1591, 1611nm)

### Specifications

Contact Ascentta with your custom specification needs.

Parameter		Unit	Value	
Pass Channel	Wavelength	nm	1471, 1491 ... 1591, 1611	
	Center Wavelength Accuracy	nm	± 0.5	
	Bandwidth (@-0.5dB)	Min nm	13	
	Isolation	Adjacent (23°C, All SOP)	Min dB	30
		Non-adjacent (23°C, All SOP)	Min dB	40
Insertion Loss (23°C, All SOP)	Max dB	0.6		
Reflect Channel	Ripple	Max dB	0.3	
	Insertion Loss (23°C, All SOP)	Max dB	0.5	
	Isolation (23°C, All SOP)	Min dB	15	
PDL	Max dB	0.1		
PMD	Max ps	0.1		
Return Loss	Min dB	45		
Directivity	Min dB	50		
Optical Power Handling	Max mW	300		
Package Dimension	mm	φ5.5 x L35		
Operating Temperature	°C	-0~+70		
Storage Temperature	°C	-40~+85		

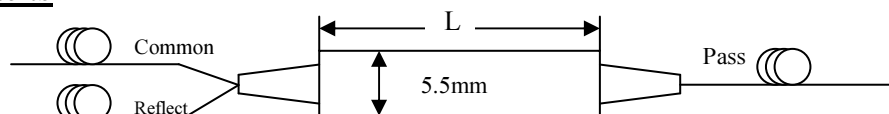
\* The above specifications are for parts without connectors. Adding connectors can affect the IL, RL, & PDL.  
 \* SOP=State Of Polarization

### Ordering Information

Contact Ascentta with your custom configuration needs.

CWDMF	Wavelength	Fiber Type	Fiber Length	Connector
CWDMF	47=1471nm	B= SMF-28, 250um	10=1.0m	NE=None
	49=1491nm	L= SMF-28, 900um	15=1.5m	FA=FC/APC
	51=1511nm		20=2.0m	FC=FC/PC
	53=1531nm	X=Others	30=3.0m	SA=SC/APC
	55=1551nm			SC=SC/PC
	57=1571nm		X=Others	ST=ST/PC
	59=1591nm			LA=LC/APC
	61=1611nm			LC=LC/PC
X=Others			X=Others	

### Package Dimensions



Contact Ascentta for all your custom design needs.

**CWDM Module**  
(1471, 1491, 1511, 1531, 1551, 1571, 1591, 1611nm)

**Specifications**

Contact Ascentta with your custom specification needs.

Parameter		Unit	4-Ch	8-Ch	
Wavelength		nm	1471, 1491 ... 1591, 1611		
Channel Spacing		GHz	20		
Channel	Center Wavelength Accuracy	nm	± 0.5		
	Bandwidth (@-0.5dB)	Min nm	13		
	Ripple	Max dB	0.3		
	Isolation	Adjacent (23°C, All SOP)	Min dB	30	
		Non-adjacent (23°C, All SOP)	Min dB	40	
Insertion Loss (23°C, All SOP)		Max dB	1.8	2.6	
Uniformity		Max dB	0.6	1.0	
PDL		Max dB	0.2		
PMD		Max ps	0.1		
Return Loss		Min dB	45		
Directivity		Min dB	50		
Optical Power Handling		Max mW	300		
Package Dimension		mm	110x95x8		
Operating Temperature		°C	0 to 70		
Storage Temperature		°C	-40 to 85		

\* The above specifications are for parts without connectors. Adding connectors can affect the IL, RL, & PDL.

\* SOP=State Of Polarization

**Ordering Information**

Contact Ascentta with your custom configuration needs.

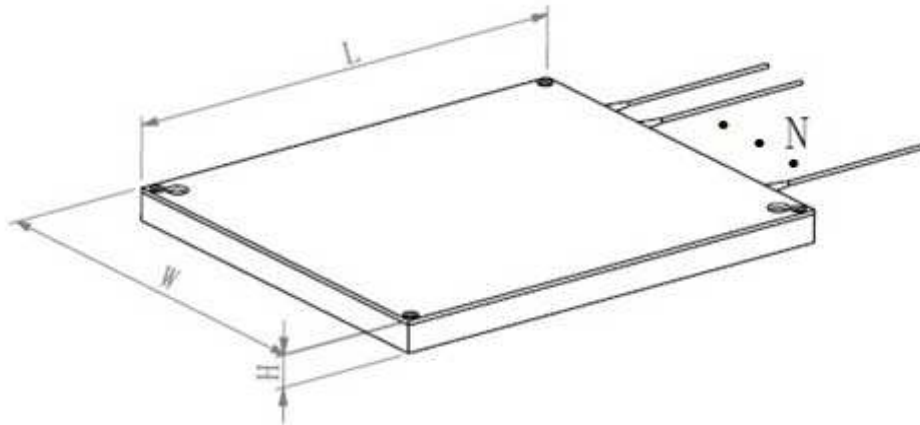
CWDM	Channels	Start Channel	Fiber Type	Fiber Length	Connector	Express Port
CWDM	4=4-Ch	47=1471nm	B= SMF-28, 250um	10=1.0m	NE=None	E=With Express Port
	8=8-Ch	49=1491nm	L= SMF-28, 900um	15=1.5m	FA=FC/APC	
	X=Others	51=1511nm	H=SMF-28, 3mm	20=2.0m	FC=FC/PC	
		53=1531nm	X=Others	30=3.0m	SA=SC/APC	
	55=1551nm			X=Others	SC=SC/PC	
					ST=ST/PC	
					LA=LC/APC	
					LC=LC/PC	
					X=Others	

Contact Ascentta for all your custom design needs.

**CWDM Module**

(1471, 1491, 1511, 1531, 1551, 1571, 1591, 1611nm)

**Package Dimensions**



Contact Ascentta for all your custom design needs.

**Mini CWDM Module**  
(1471, 1491, 1511, 1531, 1551, 1571, 1591, 1611nm)

**Specifications**

Contact Ascentta with your custom specification needs.

Parameter		Unit	4-Ch	8-Ch	
Wavelength		nm	1471, 1491 ... 1591, 1611		
Channel Spacing		GHz	20		
Channel	Center Wavelength Accuracy	nm	± 0.5		
	Bandwidth (@-0.5dB)	Min nm	13		
	Ripple	Max dB	0.3		
	Isolation	Adjacent (23°C, All SOP)	Min dB	30	
		Non-adjacent (23°C, All SOP)	Min dB	45	
Insertion Loss (23°C, All SOP)		Max dB	1.2	1.6	
Express Port Insertion Loss (23°C, All SOP)		Max dB	1.2	1.6	
PDL		Max dB	0.2		
PMD		Max ps	0.2		
Return Loss		Min dB	45		
Directivity		Min dB	50		
Optical Power Handling		Max mW	300		
Package Dimension		mm	50X28.8X6.5		
Operating Temperature		°C	0 to 70		
Storage Temperature		°C	-40 to 85		

\* The above specifications are for parts without connectors. Adding connectors can affect the IL, RL, & PDL.

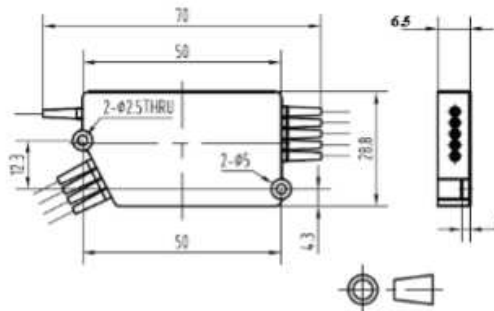
\* SOP=State Of Polarization

**Ordering Information**

Contact Ascentta with your custom configuration needs.

MCWDM	Channels	Start Channel	Fiber Type	Fiber Length	Connector	Express Port
MCWDM	4=4-Ch	47=1471nm	B= SMF-28, 250um	10=1.0m	NE=None	E=With Express Port
	8=8-Ch	49=1491nm	L= SMF-28, 900um	15=1.5m	FA=FC/APC	
	X=Others	51=1511nm	H=SMF-28, 3mm	20=2.0m	FC=FC/PC	
		53=1531nm	X=Others	30=3.0m	SA=SC/APC	
		55=1551nm		SC=SC/PC		
	X=Others		X=Others	LC=LC/PC		
					X=Others	

**Package Dimensions**



Contact Ascentta for all your custom design needs.