

## 3-PORT POLARIZATION-DEPENDENT FREE-SPACE CIRCULATOR (1310, 1480, 1550, 1590nm)

### Specifications

Contact Ascentta with your custom specification needs.

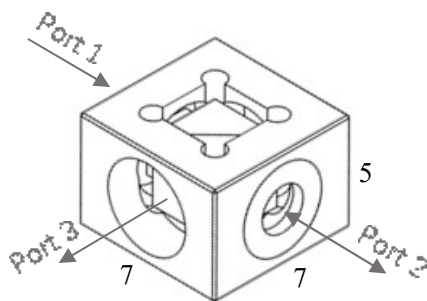
Parameter	Unit	Value
Wavelength	nm	1310, or 1480, or 1550, or 1590
Operating Range	nm	±20
Transmitting Direction	-	1→2, 2→3
Isolation (23°C) (2→1, or 3→2)	Typ.	dB 35
	Min	dB 28
Insertion Loss (23°C) (1→2, or 2→3)	Typ.	dB 0.6
	Max	dB 0.8
Extinction Ratio	Min	dB 20
Return Loss	Min	dB 50
Directivity (1→3, or 3→1)	Min	dB 50
Optical Power Handling	Max	mW 300
Operating Temperature	°C	-5 to 70
Storage Temperature	°C	-40 to 85

### Ordering Information

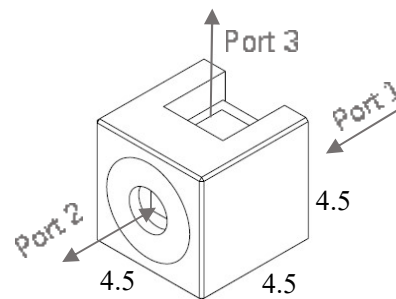
Contact Ascentta with your custom configuration needs.

FSC	Port	Type	Stage	Latching Type	Wavelength	Clear Aperture	Package Dimension
FSC	3=3-Port	PD=Polarization Dependent	S=Single Stage	N=Non-latched type Garnet (With Magnet Ring)	13=1310nm 14=1480nm 15=1550nm 159=1590nm	10=1.0mm 15=1.5mm 20=2.0mm (Not Package 02)	01=7.0*7.0*5.0mm 02=4.5*4.5*4.5mm
				L=Latching Type Garnet (Without Magnet Ring)	X=Others	X=Others	X=other

### Package Dimensions



Package: 01



Package: 02